



ATHLON

**ALL YOU WILL
EVER NEED
TO SCULP
YOUR BODY**

Functional Trainer which
stands out from all the rest

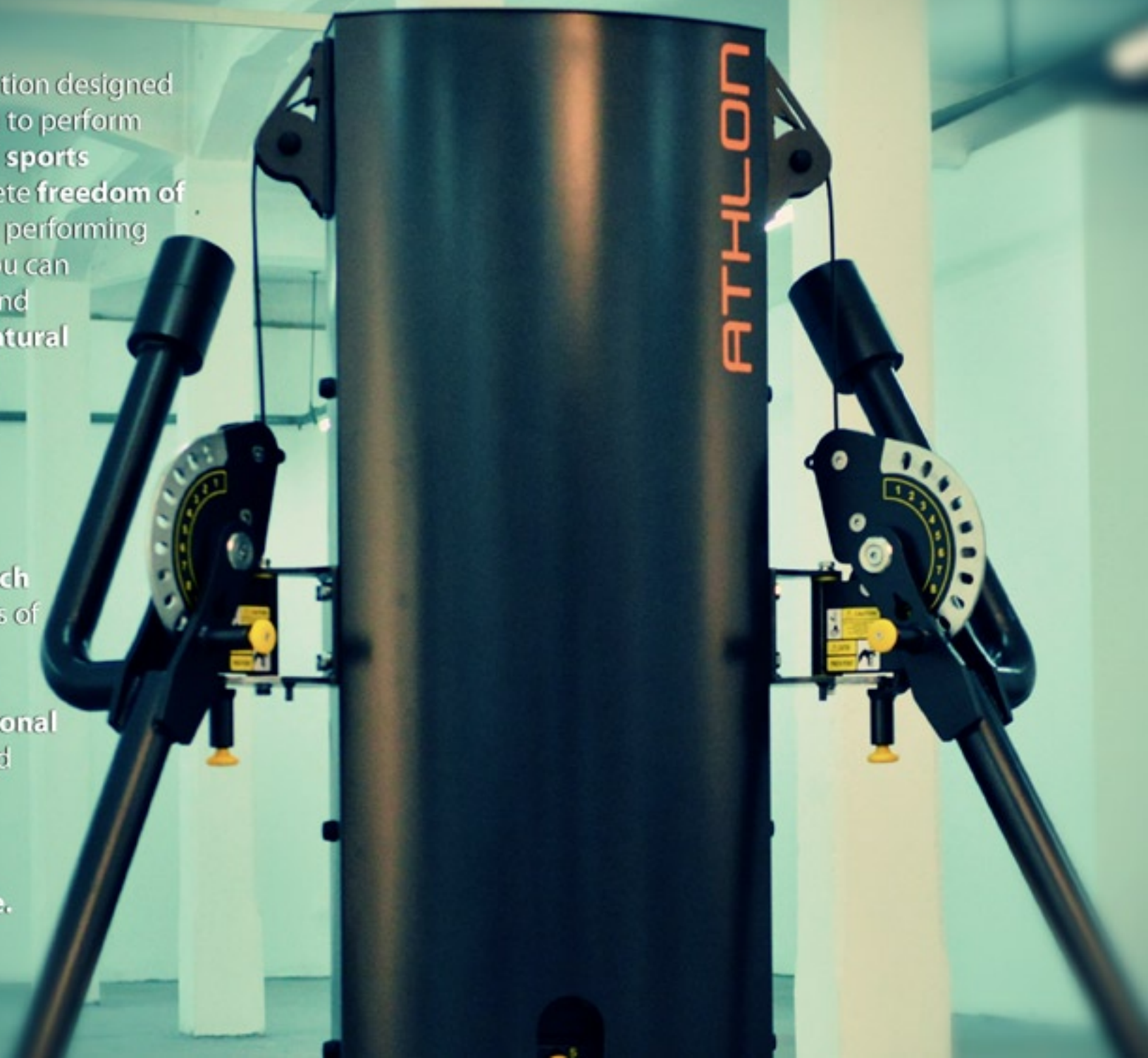
ATHLON
UNIQUE

COMMERCIAL FITNESS EQUIPMENT

INTRODUCTION

A single functional training station designed and built by Athlon allows you to perform both **total body workout** and **sports specific training**. With complete **freedom of movement** in all directions by performing weight resistance exercises, you can change the angle, resistance and perform an infinite range of **natural movements** with **more than 300 different exercises**.

It is a truly **innovative approach** that combines the best aspects of selectorized and cable-based strength training equipment. Being **developed for professional use** and featuring a unique and distinguished design, high performance and quality, both man and women find it their **favorite fitness machine**.



HOW IT WORKS

Adjust the arms, load the weight and start your training.

EASY & FAST ADJUSTMENT FOR EACH ARM INDEPENDENTLY

by moving it vertically and horizontally in order to make full use of the many settings available.

ADJUST THE ARMS HORIZONTALLY

by pulling down the knob; then use the other hand to move the arms to the desired position and release the knob.

EXTENSIVE CABLE TRAVEL

allows you to perform virtually any movement through practically 360 degrees with maximum fluidity.

ATHLON

ADJUST THE ARMS VERTICALLY

by holding one arm at a time with one hand and using the other hand to pullout the knob. Move the arms to the desired position and release the knob.

LOAD THE RESISTANCE

by pulling out the selector pin from weight stacks and then inserting it into the weight you want to use.

SWIVELING PULLEYS & HANDLES

can move independently; when necessary, a quick attachment change is possible for each arm.



The image shows a piece of exercise equipment called the Athlon Unique. It features a vertical black frame with the brand name 'ATHLON' written vertically in orange on the left side. A horizontal black arm extends from the frame, ending in a red and black handle. The handle has a unique shape with three finger loops and a central grip. The arm is attached to a complex pulley system with cables and a yellow adjustment knob. The background is a light-colored wall with some ceiling lights.

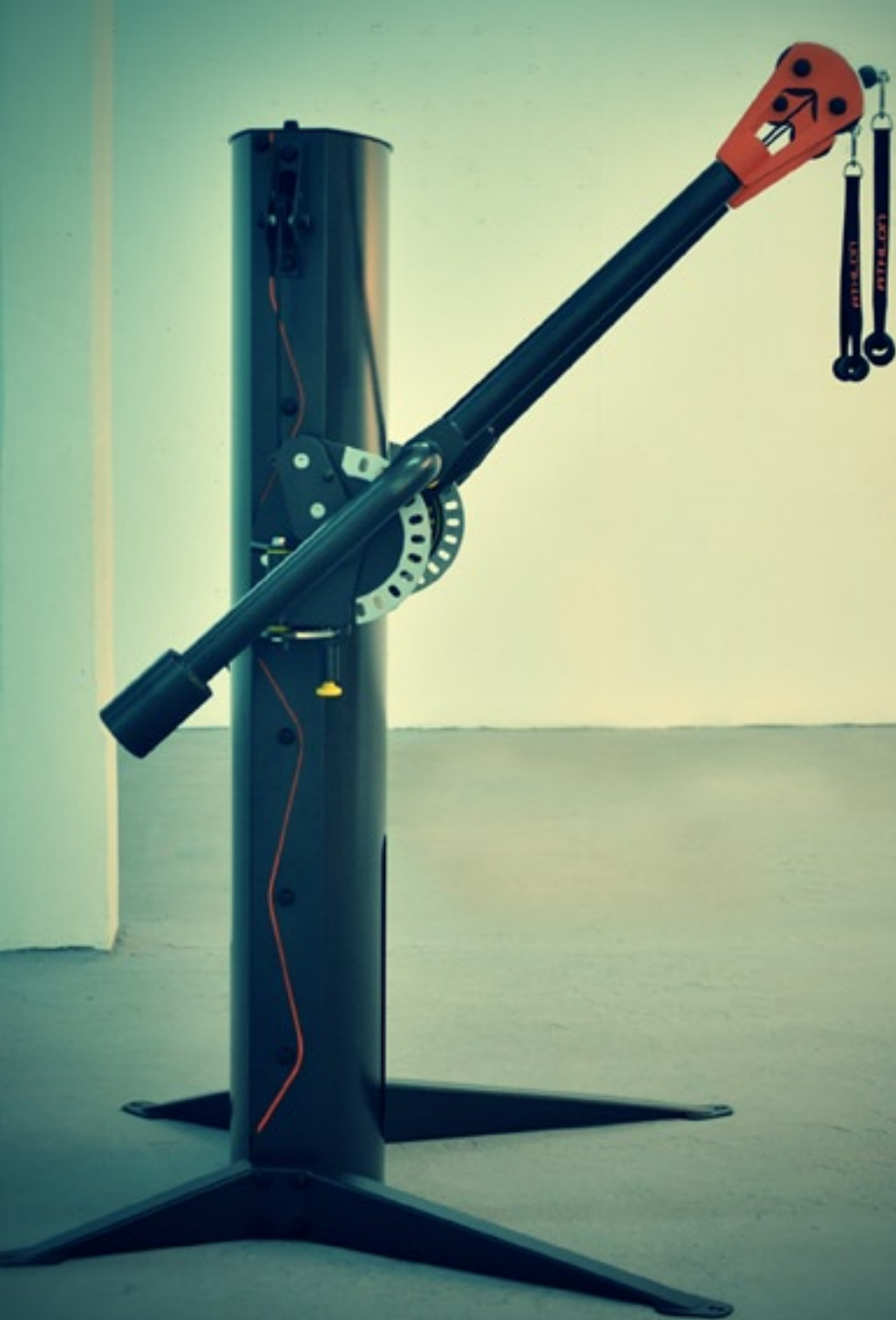
EXPECT MORE

FREEDOM IN ALL DIRECTIONS

Unlike any other piece of equipment, Athlon Unique allows the user to perform an almost **unlimited range of motion** due to its articulating **rotating arms**, **swiveling pulleys** and **extensive cable travel**. Each exercise arm rotates with a large number of vertical and horizontal settings to accommodate virtually any **movement pattern through practically 360 degrees** with maximum fluidity. The arms are counterbalanced for easy adjustment and positioning. This innovative system **allows the user to move three-dimensionally** whilst providing resistance to every possible movement without cable interference.

LARGE NUMBER OF EXERCISES

Unique has been designed to meet all training needs by **targeting every part of the body** and it is **suitable for all kinds of users**, from beginners to experts. Thanks to the several arm adjustments and accessories, the user can perform **more than 300 exercises**. Different muscles can be **simultaneously and synergically activated** by simply changing the body position or adding a rotation to the movement. It is the best solution for **sport specific training**.



SPACE SAVING

Athlon Unique combines a **stylish design** with maximum performance, while at the same time taking care of the space. The result is **minimum use of space when performing exercises**. It occupies very little space when it is not in use, so it can be fitted almost anywhere.

EASY & SAFE USE

The design and biomechanical performance allow **easy and friendly use in total safety for every user**. The **handle is always ready** for use and you can immediately start with the workout. Immediate and intuitive arm exercise adjustments allow you to move freely with minimal interference with the body.

ERGONOMIC

Each arm has a rotating swivel pulley that connects the arm via cable to an **ergonomic and comfortable handgrip** in order to perform virtually unlimited movements. This sophisticated and revolutionary system, which allows you to **be connected in the best possible way** with the functional trainer, is the result of Athlon's technological expertise.

HOME WORKOUTS

Gain chest & arm muscles and **sculpt your body with professional equipment** in your own home whilst using minimum floor space when performing exercises.



ADDITIONAL WORKOUTS

Discover our functional trainer and let it impress you.

With Unique you are able to perform suspension training with bodyweight and use the adjustable arms to perform extra number of exercises.



THE REAL BENEFITS



USER BENEFITS

One training station for every part of the body with **more than 300 exercises**.
Functionally trains the **muscles of the whole body to work together simultaneously**.
Allows users to perform **specific movements** with practically **unlimited range of motion**.
Additional use of **two adjustable arms** allows to perform a **high number of extra exercises**.
Different muscles can be worked by **simply changing the body position**.
Allows the best performance of **suspension training exercises with body weight**.
Suitable for **all kinds of users**, from beginners to experts.
Safe and easy to use for both men and women.

BUSINESS BENEFITS

Unique was designed and built for **commercial & professional use**.
Equipment made of **high performance steel** to ensure **long lasting durability**.
Designed for **everyday use** with **low maintenance time**.
Both **space and cost saving** by reducing the amount of equipment you need.
Value for money for your long-term business asset.

UNIQUE & MORE

To bring out the best performance from Unique and to perform more different exercises, we suggest to use the **Athlon adjustable bench** or **another attachment** to the cable which are **easy to connect** and you are **immediately ready** to start your training.



TESTIMONIALS

Your opinions are important to us

"All I need for a full body workout is a single functional training machine. It's just great."

Marcus Cole – Personal User

"The best possible machine to build endurance and muscles while using minimum floor space."

Robert Petersen – Personal Trainer



A woman is shown from the waist down, wearing black underwear. She is posing to highlight her lower body, with her right hand resting on her hip. The background is dark and out of focus.

T**ESTIMONIALS**

Your opinions are important to us

"Amazing for lower body sculpting workout, especially to reduce my hips, slim my thighs, and lift my booty."

Christina Randall – TML

"Getting a tighter and slimmer body and losing weight is really easy with this equipment. I would recommend it to everyone."

Monica Leoni – Personal User

PRODUCT DETAILS

Width: min 128 cm / max 279 cm

Depth: min 123 cm / max 166 cm

Height: min 183 cm / max 221 cm

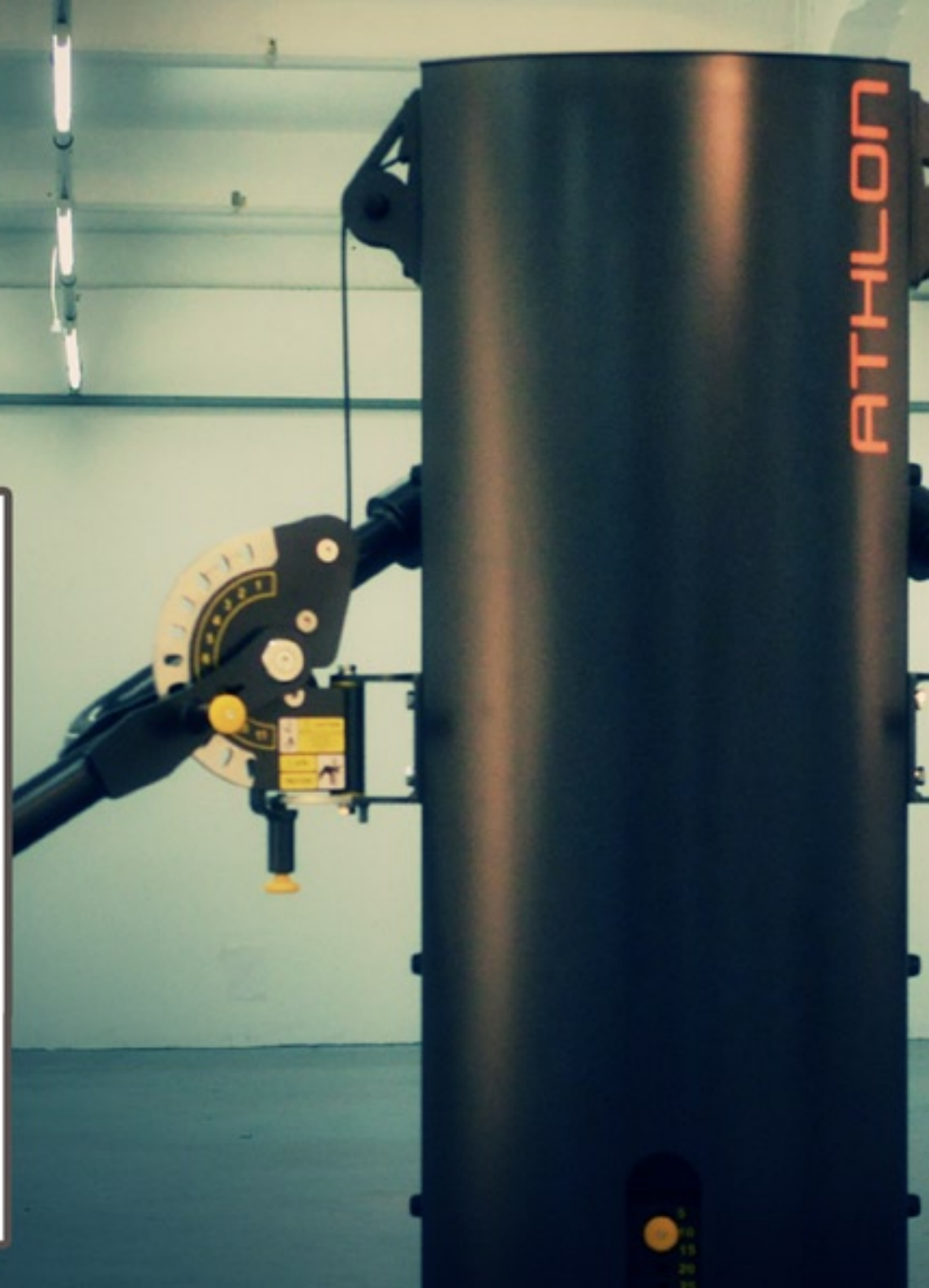
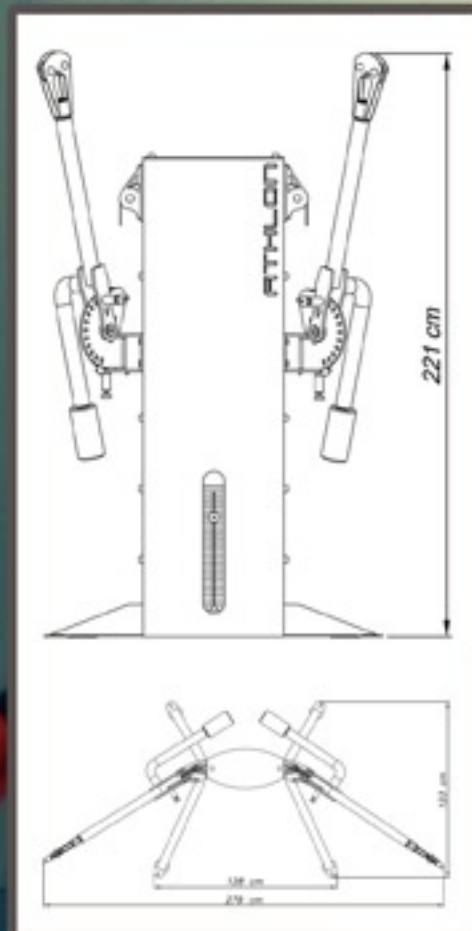
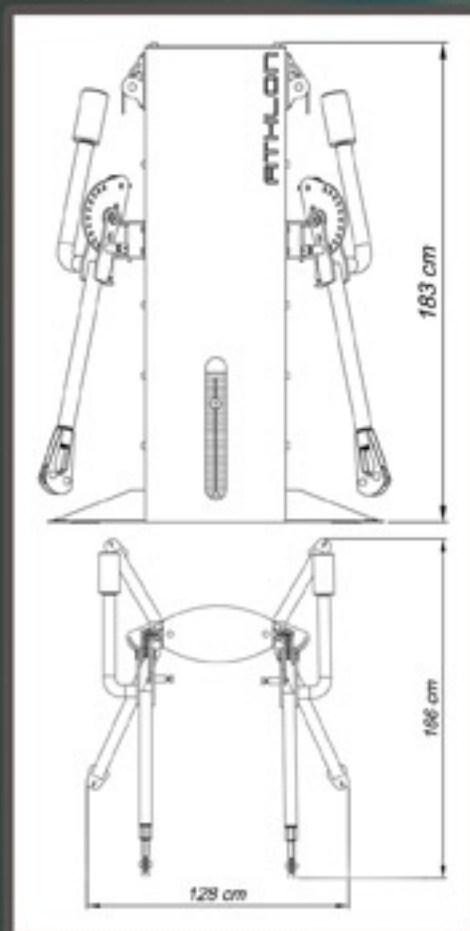
Weight stack: 150 kg

Total weight: 325 kg

Attachment included:

Exercise handle straps

Suspension training & multifunctional straps



FIND YOUR GREATNESS

Rediscover the right **balance between body and mind** in order to improve the quality and wellbeing of your life. Athlon Unique makes exercise free and enjoyable, easy and **natural**, and without restrictions. It is our most requested **multifunctional piece of equipment** engineered and manufactured for professional use.

Sometimes a thousand words just isn't enough to explain the **benefits of this amazing piece of fitness equipment**. That's why we made an **introduction video** to ensure you that the above are not just words. **Unique really is unlike anything else.**

Request your copy of full DVD version with a large number of exercises for each muscle group in order to **start immediately with your overall body transformation.**

You can find us also on YouTube.



ATHLON UNIQUE

Empowering Your Life



ATHLON GROUP Ltd
contact@athlon-fitness.com
+385 99 8545 005
www.athlon-fitness.com

Designed & manufactured
in European Union

Copyright © 2015 Athlon Group Ltd. All Rights Reserved